

Products > Jewel Bearings > Endstone Assemblies > ES-40

Endstone Assemblies - ES-40

Specifications

Model	ES-40
Diameter	1/4, 2-56
Thickness	.438"
Jewel Size	.187x.035"
Setting	Stainless Steel

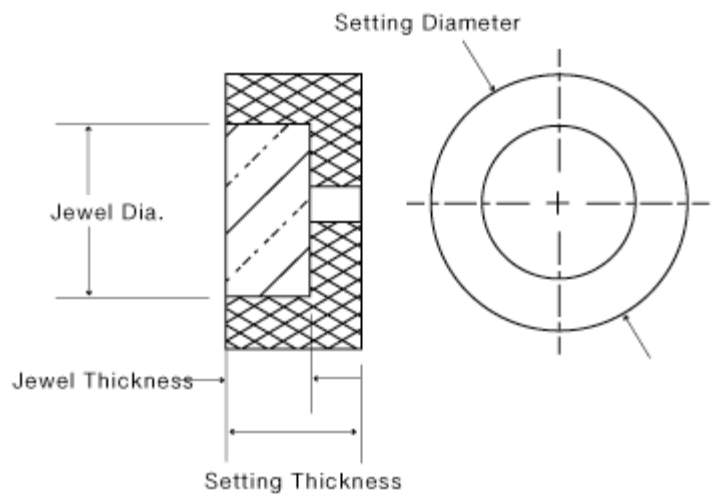


Description

Endstones find wide use as a thrust bearing in combination with a ring jewel which serves as the annular bearing. The endstone may be mounted in the same housing with the ring jewel or mounted separately in an adjusting screw—especially when the end of the pivot extends beyond the radical bearing. Pivot ends in both cases should be highly polished.

Typical Applications

- Flow Meters
- Gauges
- Indicators
- Insulators/Spacers
- Potentiometers
- Gyros
- Aircraft Instruments
- Watches and Clocks



NOT SEEING EXACTLY WHAT YOU NEED?

We specialize in creating a wide range of custom optical components and custom mechanical components including a variety of shapes - from internal holes and tapers to outer flanges, angles and surface finishes. Contact us and we will consult with you to create a custom component that meets all of your specifications.

